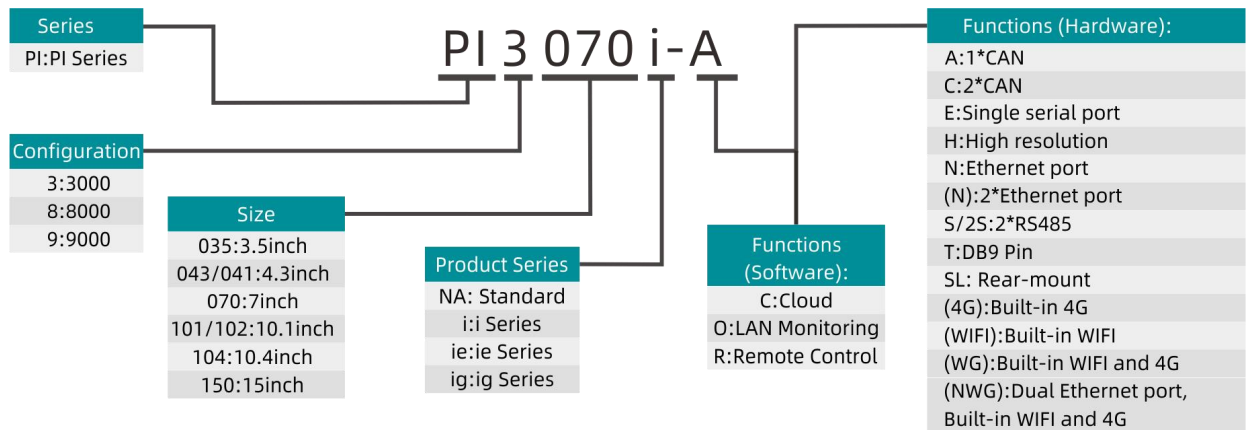
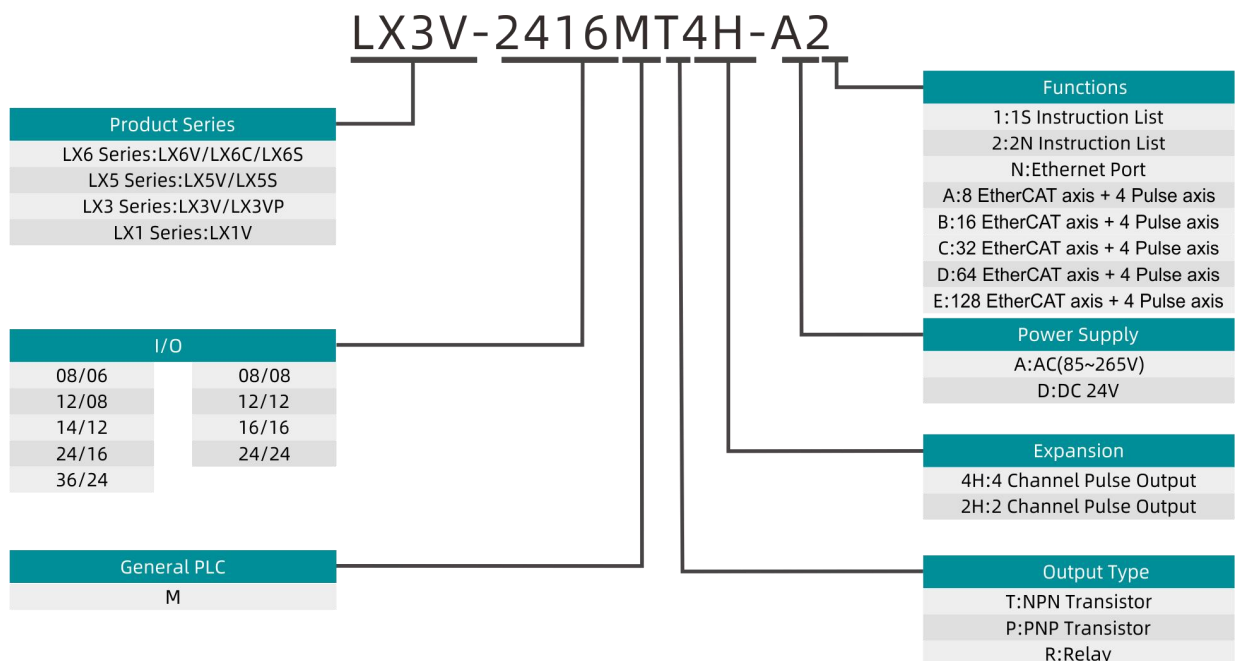


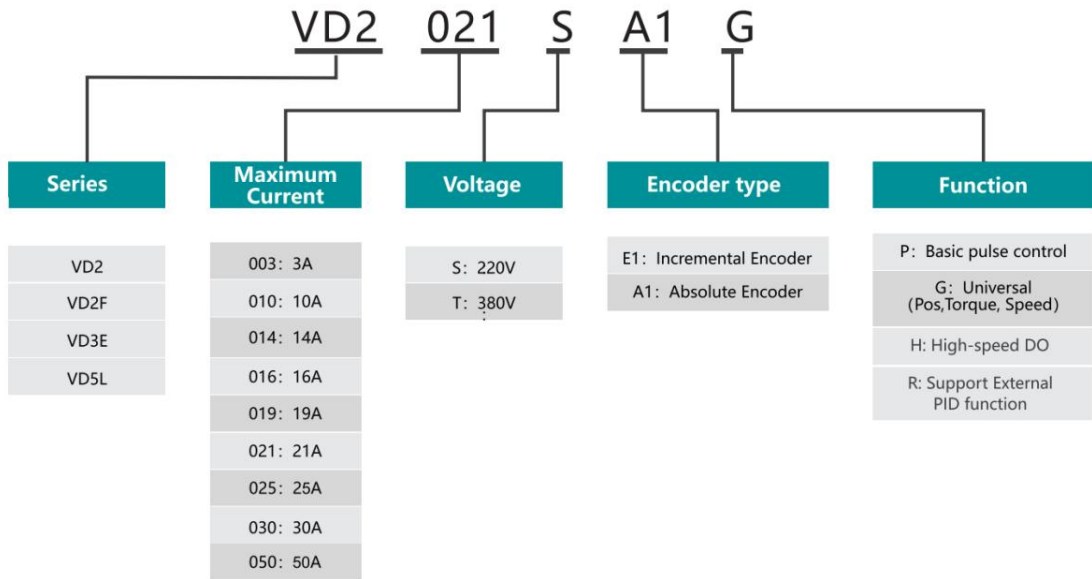
HMI Naming Rules



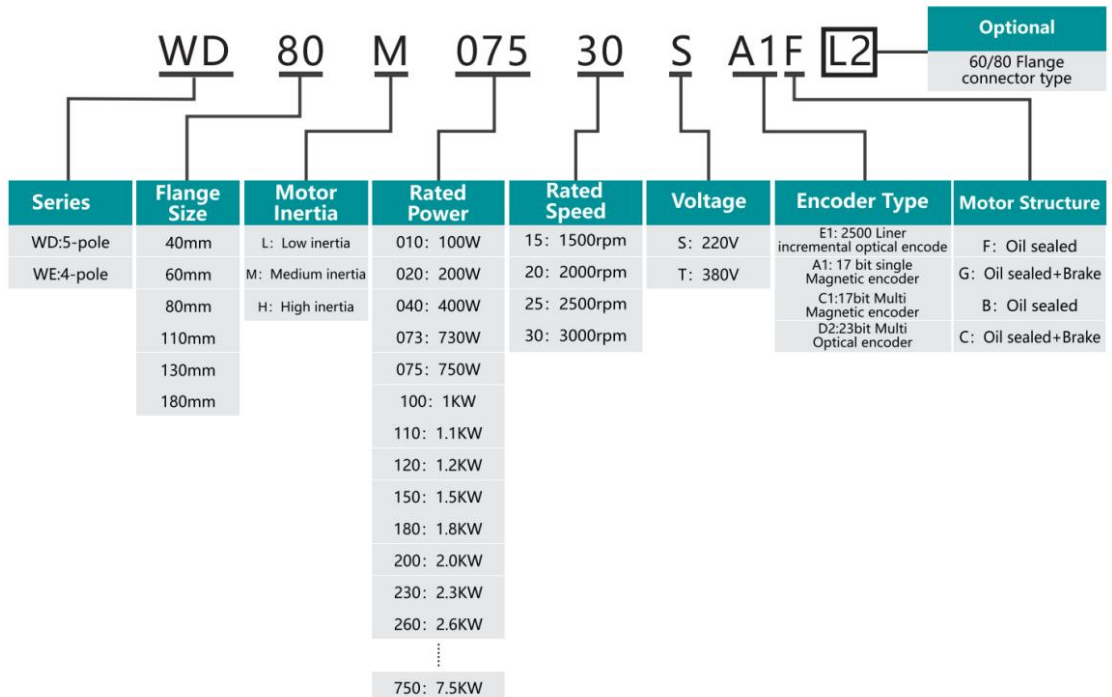
PLC Naming Rules



Servo Drive Naming Rules



Motor Naming Rules



Encode Cable Naming Rules

E - J1394 - R9M - 3M X7 - A1 - 2

① 4-core CPU E:Encoder adapter cable	④ Cable length 3M:3M 5M:5M 7M:7M
② Drive side connector J1394:1394 connector D15G:DB15 male connector	⑤ Number of cores X5:5 cores X7:7 cores
③ Motor side connector R9M:9-core rectangular female connector MC7S:7-core straight female connector H28K7M:7-core 28mm aviation female connector CM10:11-core 11mm aviation female connector MC7P:7-core straight female connector (L2) R15M:15-core rectangular female connector H28J15M:15-core 28mm aviation female connector	⑥ Wire size A:0.2mm/0.14mm A1:0.2mm/0.14mm with battery box
	⑦ Others 1:Ordinary cable 2:High flex cable

Power Cable Naming Rules

P - U301 - H28J4M - 5M X4 - C - 1

① Cable type P:Power adapter cable/brake cable	④ Cable length 3M:3M 5M:5M 7M:7M 10M:10M
② Drive side connector Z3O1:3-core pin-type cold-pressed terminal and 1-core O-type cold-pressed terminal Z3O3: 3-core pin-type cold-pressed terminal and 3-core O-type cold-pressed terminal Z4O2:4-core pin-type cold-pressed terminal and 2-core O-type cold-pressed terminal U3O1:3-core U-type cold-pressed terminal and 1-core O-type cold-pressed terminal U3O3: 3-core U-type cold-pressed terminal and 3-core O-type cold-pressed terminal Z6:6-core pin-type cold-pressed terminal O2:2-core O-type cold-pressed terminal	⑤ Number of cores X2:2 cores X4:4 cores X6:6 cores
③ Motor side connector 18A6:6-core 23mm aviation female connector R4M:4-core rectangular female connector MC4S: 4-core straight female connector MC6S: 6-core straight female connector H28J4M: 4-core 28mm aviation female connector H32J4M: 4-core 32mm aviation female connector R2M:2-core rectangular female connector MC4H: 4-core H-type straight female connector MC6H:6-core H-type straight female connector	⑥ Wire size D:0.5mm E:0.75mm B:1.0mm F:1.5mm C:2.5mm
	⑦ Others 1:Ordinary cable 2:High flex cable

V-BOX Naming Rules

